

Performer SZ185S4CA

Specifications

Brand	Performer
Type	SZ185S4CA
Refrigerant	Freon
Refrigerant type	R 404 A or other types
kW at +10°C/+40°C	57
kW at 0°C/+40°C	39
Sizes	520x450x700 mm (LxWxH)



Description

Used Performer SZ185S4CA

Used Performer SZ185S4RA Scroll compressor(s/n: LD11 4512262) // 400V 3 ~ 50 Hz / LR 175 A / HP 32 bar - 464 psi / LP 25 bar - 363 spi



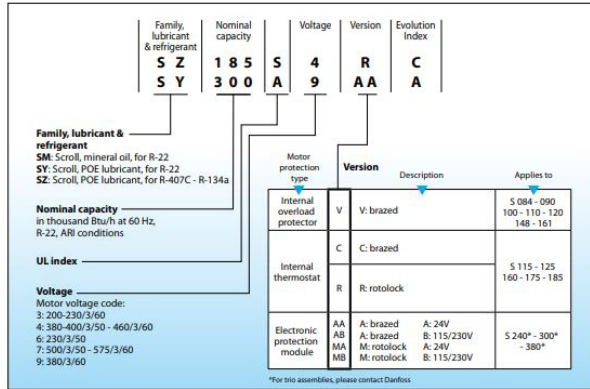


COMPRESSOR MODEL DESIGNATION

Performer® scroll compressors are available both as single compressors and as tandem units. The example below presents single compressor nomenclature.

For tandem assemblies, please refer to the Performer® Parallel Application Guidelines documentation.

Nomenclature



Connection details

Model	SM/SZ 084 - 090 - 100 110 - 120 - 148 - 161	SM/SZ 115 - 125 - 160 - 175 - 185	SY/SZ 240 - 300	SY/SZ 380	
Version	V	R C	MA MB	AA AB	AA AB
Suction and discharge connection	brazed	rotolock	brazed	rotolock	brazed
Oil sight glass	threaded	threaded	threaded	threaded	threaded
Oil equalization connection	3/8" flare	3/8" flare	3/8" flare	1/2" flare	1/2" flare
Oil drain connection	-	1/4" NPT	1/4" NPT	1/4" NPT	1/4" NPT
Low pressure gauge port (schraeder)	1/4" flare	1/4" flare	1/4" flare	1/4" flare	1/4" flare